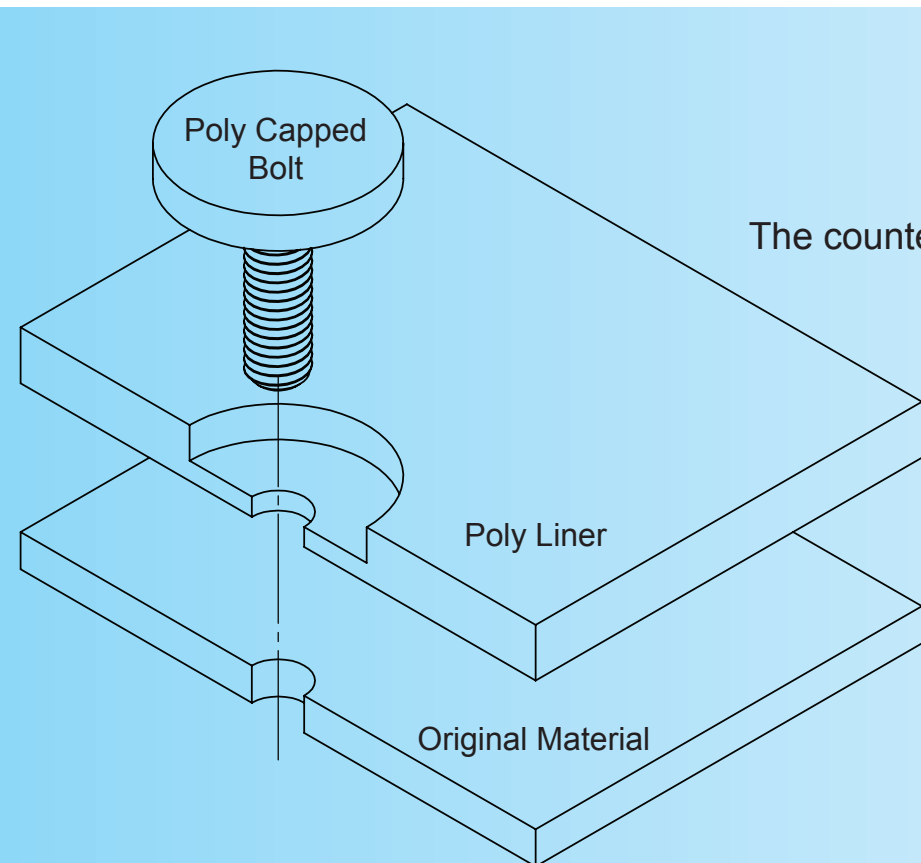
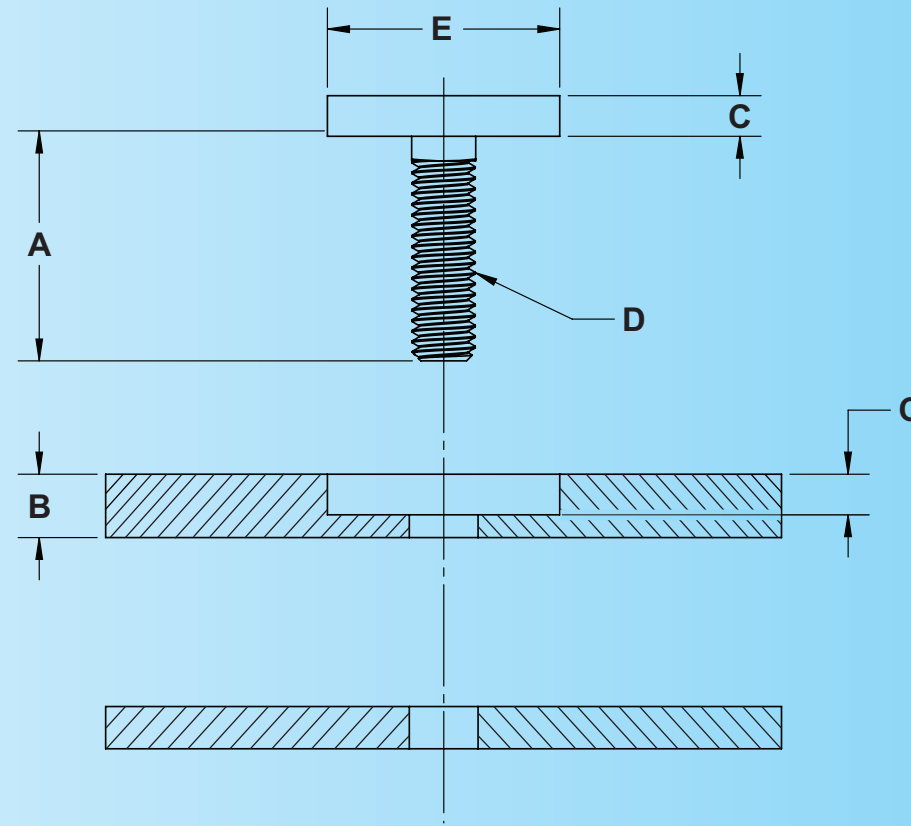


Bolt Sizing/Specifications Guide

- A. Bolt Length
- B. Your Material Thickness
- C. Poly Head Thickness
- D. Thread Size
- E. Head Diameter



The counterbore as well as the through-hole must be sized properly for the application of the plastic capped bolt to be effective.

Poly Capped Elevator Bolts are sold in various sizes, finishes, lengths, covering thicknesses and colors.

General Information

ELEVATOR BOLT SIZES: 1/4", 5/16" and 3/8"

APPLICATIONS:

Plain Bolts:

Steel bolt or "carbon steel" material is the most common and most economical. Not corrosion resistant. Typically used in indoor applications.

Zinc Bolts:

Zinc bolts are typically a low carbon steel coated in zinc, relatively inexpensive, and provide moderate corrosion resistance. Suitable for both indoor and outdoor applications.

Stainless Steel Bolts:

Stainless steel bolts offer good corrosion resistance, making them suitable for outdoor and marine applications. Typically more expensive than zinc plated.

LENGTHS: 1", 1 1/4", 1 1/2", 1 3/4" and 2"

COVERING THICKNESSES: 1/4", 3/8", 1/2", 5/8", 3/4" and 1"

POLY HEAD COLORS:

Pride Engineered Plastics has the ability to mold poly capped bolts in different colors which are available upon request. Common colors include Black, White, Silver, Red, Yellow, Green, Blue and Orange. Please inquire about our minimum order requirements for custom colors and be advised that there is a 10% upcharge for special colors.

MINIMUM ORDER:

The minimum quantity on any order is a 100 count package.

PRODUCTION NOTES:

Due to production processing, Pride Engineered Plastics reserves the right to ship +10% of order quantity. Orders greater than 1,000 bolts, +1% of order.



120 Eastgate Drive S.E., Hutchinson, MN 55350
Phone: 320-587-0760 • Fax: 320-587-6112
www.prideengineeredplastics.com • info@prideengineeredplastics.com
Prices effective through 12.31.2016



POLY CAPPED BOLTS



Poly Capped Bolts are made by compression molding Ultra High Molecular Weight Polyethylene (UHMW-PE) plastic directly to the bolt. The entire head of the bolt is covered with a minimum of 1/4" seal. This process greatly reduces the possibility of the head becoming detached.

Our bolts can be used in a variety of applications where there is excessive friction and wear or high velocity. **They excel at protecting steel, aluminum and wood surfaces.** Our bolts are used by companies that have poly surfaces that require poly capped bolts in order to achieve a 100% poly surface.

120 Eastgate Drive S.E., Hutchinson, MN 55350
Phone: 320-587-0760 • Fax: 320-587-6112
www.prideengineeredplastics.com

Elevator Bolts - 1/4"-20 with 1.182" Head Diameter

Part No.	Bolt Length	Your Material	Head Thickness	Plain (Ea.)	Zinc (Ea.)
77000008	1"	1/4"	.140	\$1.33	\$1.51
77000014	1 1/4"	1/4"	.140	\$1.34	\$1.52
77000020	1 1/2"	1/4"	.140	\$1.35	\$1.53
77000026	1 3/4"	1/4"	.140	\$1.36	\$1.54
77000032	2"	1/4"	.140	\$1.37	\$1.55

Part No.	Bolt Length	Your Material	Head Thickness	Plain (Ea.)	Zinc (Ea.)
77000009	1"	3/8"	.240	\$1.35	\$1.53
77000015	1 1/4"	3/8"	.240	\$1.36	\$1.54
77000021	1 1/2"	3/8"	.240	\$1.37	\$1.55
77000027	1 3/4"	3/8"	.240	\$1.38	\$1.56
77000033	2"	3/8"	.240	\$1.39	\$1.57

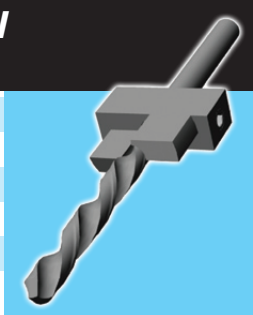
Part No.	Bolt Length	Your Material	Head Thickness	Plain (Ea.)	Zinc (Ea.)
77000010	1"	1/2"	.340	\$1.39	\$1.57
77000016	1 1/4"	1/2"	.340	\$1.40	\$1.58
77000022	1 1/2"	1/2"	.340	\$1.41	\$1.59
77000028	1 3/4"	1/2"	.340	\$1.42	\$1.60
77000034	2"	1/2"	.340	\$1.43	\$1.61

Part No.	Bolt Length	Your Material	Head Thickness	Plain (Ea.)	Zinc (Ea.)
77000011	1"	5/8"	.440	\$1.44	\$1.62
77000017	1 1/4"	5/8"	.440	\$1.45	\$1.63
77000023	1 1/2"	5/8"	.440	\$1.46	\$1.64
77000029	1 3/4"	5/8"	.440	\$1.47	\$1.65
77000035	2"	5/8"	.440	\$1.48	\$1.66

Part No.	Bolt Length	Your Material	Head Thickness	Plain (Ea.)	Zinc (Ea.)
77000012	1"	3/4"	.520	\$1.50	\$1.62
77000018	1 1/4"	3/4"	.520	\$1.51	\$1.63
77000024	1 1/2"	3/4"	.520	\$1.52	\$1.64
77000030	1 3/4"	3/4"	.520	\$1.53	\$1.65
77000036	2"	3/4"	.520	\$1.54	\$1.66

Part No.	Bolt Length	Your Material	Head Thickness	Plain (Ea.)	Zinc (Ea.)
77000013	1"	1"	.740	\$1.57	\$1.75
77000019	1 1/4"	1"	.740	\$1.58	\$1.76
77000025	1 1/2"	1"	.740	\$1.59	\$1.77
77000031	1 3/4"	1"	.740	\$1.60	\$1.78
77000037	2"	1"	.740	\$1.61	\$1.79

Counterbore Tool		
Part No.	Your Material	Price (Ea.)
77000140	1/4"	\$60
77000141	3/8"	\$60
77000142	1/2"	\$60
77000143	5/8"	\$60
77000144	3/4"	\$60
77000145	1"	\$60



Hardware		
Part No.	Material Type	Price (Ea.)
77000038	Poly Washers	\$0.13
77000039	Steel Washers	\$0.05
77000040	Locknuts	\$0.09
77000041	Regular Nuts	\$0.06

Elevator Bolts - 5/16"-18 with 1.375" Head Diameter

Part No.	Bolt Length	Your Material	Head Thickness	Plain (Ea.)	Zinc (Ea.)
77000042	1"	1/4"	.140	\$1.65	\$1.80
77000048	1 1/4"	1/4"	.140	\$1.66	\$1.81
77000054	1 1/2"	1/4"	.140	\$1.67	\$1.82
77000060	1 3/4"	1/4"	.140	\$1.68	\$1.83
77000066	2"	1/4"	.140	\$1.69	\$1.84

Part No.	Bolt Length	Your Material	Head Thickness	Plain (Ea.)	Zinc (Ea.)
77000043	1"	3/8"	.240	\$1.67	\$1.82
77000049	1 1/4"	3/8"	.240	\$1.68	\$1.83
77000055	1 1/2"	3/8"	.240	\$1.69	\$1.84
77000061	1 3/4"	3/8"	.240	\$1.70	\$1.85
77000067	2"	3/8"	.240	\$1.71	\$1.86

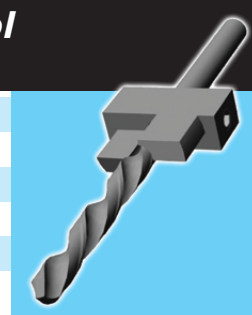
Part No.	Bolt Length	Your Material	Head Thickness	Plain (Ea.)	Zinc (Ea.)
77000044	1"	1/2"	.340	\$1.71	\$1.84
77000050	1 1/4"	1/2"	.340	\$1.72	\$1.85
77000056	1 1/2"	1/2"	.340	\$1.73	\$1.86
77000062	1 3/4"	1/2"	.340	\$1.74	\$1.87
77000068	2"	1/2"	.340	\$1.75	\$1.88

Part No.	Bolt Length	Your Material	Head Thickness	Plain (Ea.)	Zinc (Ea.)
77000045	1"	5/8"	.440	\$1.76	\$1.93
77000051	1 1/4"	5/8"	.440	\$1.77	\$1.94
77000057	1 1/2"	5/8"	.440	\$1.78	\$1.95
77000063	1 3/4"	5/8"	.440	\$1.79	\$1.96
77000069	2"	5/8"	.440	\$1.80	\$1.97

Part No.	Bolt Length	Your Material	Head Thickness	Plain (Ea.)	Zinc (Ea.)
77000046	1"	3/4"	.520	\$1.81	\$1.98
77000052	1 1/4"	3/4"	.520	\$1.82	\$1.99
77000058	1 1/2"	3/4"	.520	\$1.83	\$2.00
77000064	1 3/4"	3/4"	.520	\$1.84	\$2.01
77000070	2"	3/4"	.520	\$1.85	\$2.02

Part No.	Bolt Length	Your Material	Head Thickness	Plain (Ea.)	Zinc (Ea.)
77000047	1"	1"	.740	\$1.87	\$2.04
77000053	1 1/4"	1"	.740	\$1.88	\$2.05
77000059	1 1/2"	1"	.740	\$1.89	\$2.06
77000065	1 3/4"	1"	.740	\$1.90	\$2.07
77000071	2"	1"	.740	\$1.91	\$2.08

Counterbore Tool		
Part No.	Your Material	Price (Ea.)
77000152	1/4"	\$60
77000153	3/8"	\$60
77000154	1/2"	\$60
77000155	5/8"	\$60
77000156	3/4"	\$60
77000157	1"	\$60



Hardware		
Part No.	Material Type	Price (Ea.)
77000072	Poly Washers	\$0.14
77000073	Steel Washers	\$0.12
77000074	Locknuts	\$0.15
77000075	Regular Nuts	\$0.06

Elevator Bolts - 3/8"-16 with 1.375" Head Diameter

Part No.	Bolt Length	Your Material	Head Thickness	Plain (Ea.)	Zinc (Ea.)
77000104	1"	1/4"	.140	\$2.37	\$2.44
77000110	1 1/4"	1/4"	.140	\$2.38	\$2.45
77000116	1 1/2"	1/4"	.140	\$2.39	\$2.46
77000122	1 3/4"	1/4"	.140	\$2.40	\$2.47
77000128	2"	1/4"	.140	\$2.41	\$2.48

Part No.	Bolt Length	Your Material	Head Thickness	Plain (Ea.)	Zinc (Ea.)
77000105	1"	3/8"	.240	\$2.41	\$2.48
77000111	1 1/4"	3/8"	.240	\$2.42	\$2.49
77000117	1 1/2"	3/8"	.240	\$2.43	\$2.50
77000123	1 3/4"	3/8"	.240	\$2.44	\$2.51
77000129	2"	3/8"	.240	\$2.45	\$2.52

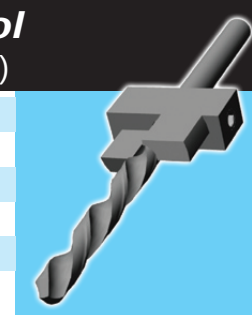
Part No.	Bolt Length	Your Material	Head Thickness	Plain (Ea.)	Zinc (Ea.)
77000106	1"	1/2"	.340	\$2.44	\$2.52
77000112	1 1/4"	1/2"	.340	\$2.45	\$2.53
77000118	1 1/2"	1/2"	.340	\$2.46	\$2.54
77000124	1 3/4"	1/2"	.340	\$2.47	\$2.55
77000130	2"	1/2"	.340	\$2.48	\$2.56

Part No.	Bolt Length	Your Material	Head Thickness	Plain (Ea.)	Zinc (Ea.)
77000107	1"	5/8"	.440	\$2.48	\$2.56
77000113	1 1/4"	5/8"	.440	\$2.49	\$2.57
77000119	1 1/2"	5/8"	.440	\$2.50	\$2.58
77000125	1 3/4"	5/8"	.440	\$2.51	\$2.59
77000131	2"	5/8"	.440	\$2.52	\$2.60

Part No.	Bolt Length	Your Material	Head Thickness	Plain (Ea.)	Zinc (Ea.)
77000108	1"	3/4"	.520	\$2.52	\$2.60
77000114	1 1/4"	3/4"	.520	\$2.53	\$2.61
77000120	1 1/2"	3/4"	.520	\$2.54	\$2.62
77000126	1 3/4"	3/4"	.520	\$2.55	\$2.63
77000132	2"	3/4"	.520	\$2.56	\$2.64

Part No.	Bolt Length	Your Material	Head Thickness	Plain (Ea.)	Zinc (Ea.)
77000109	1"	1"	.740	\$2.56	\$2.64
77000115	1 1/4"	1"	.740	\$2.57	\$2.65
77000121	1 1/2"	1"	.740	\$2.58	\$2.66
77000127	1 3/4"	1"	.740	\$2.59	\$2.67
77000133	2"	1"	.740	\$2.60	\$2.68

Counterbore Tool		
Part No.	Your Material	Price (Ea.)
77000158	1/4"	\$60
77000159	3/8"	\$60
77000160	1/2"	\$60
77000161	5/8"	\$60
77000162	3/4"	\$60
77000163	1"	\$60



Hardware		
Part No.	Material Type	Price (Ea.)
77000134	Poly Washers	\$0.15
77000135	Steel Washers	\$0.17
77000136	Locknuts	\$0.15
77000137	Regular Nuts	\$0.06